

# MF50V5- 11MHz REV15.5



## High Reliability OCXO Metal Package, Full Size DIP14

Widely used for the telecommunications, Aerospace, Defense and Military Industries.

<b>Environmental And Mechanical</b>	<b>Storage Temperature Range</b>	-40°C to +85°C
	<b>PIND Testing</b>	Not available for OCXO Products using discrete technology (PCB board used), according to MIL-PRF-55310D for Class 1 oscillators
	<b>Seal Volume of Package in cm<sup>3</sup> 1.0≤V≤10</b>	MIL-STD-883E, Method 1014.10 Test Condition A1 45Psia, exposure time 5 hours, Reject limit 5x10 <sup>-8</sup> atm cc/s He

<b>ELECTRICAL SPECIFICATIONS</b>	<b>PARAMETER</b>	<b>General Data</b>
	<b>Output Frequency</b>	11.000000MHz
	<b>Output Level</b>	CMOS / TTL Compatible
	<b>Level</b>	"1"level:>+4.5Vdc; "0"level:<+0.5Vdc
	<b>Duty Cycle</b>	50% ± 10%
	<b>Rise/Fall Time</b>	6.0nS Max.
	<b>Output Load</b>	15 pF
	<b>Initial Frequency @25°C</b> Vcon =W3 ( 2.5Vdc )	≤ ± 500ppb
	<b>Frequency-Voltage Stability</b> Vcon =No connected	≤ 200ppb vs Supply Voltage Change ± 5%
	<b>Frequency-Temp. Stability</b> Vcon =W3 ( 2.5Vdc )	≤ ± 500ppb over -40°C to +85°C ( Fmax-Fmin ) ≤ 1000ppb
	<b>Aging (after 30days )</b>	± 0.3ppm / First year
	<b>Supply Voltage , VDD</b>	5.0Vdc
	<b>Control Voltage, Vcon</b>	2.5Vdc ± 2Vdc
	<b>Frequency Pull Range</b>	≥ ± 10ppm
	<b>Power @25°C</b>	2.5W(max.)when warm-up; 1.0W(max.)when static
<b>Warm-up time @25°C</b> Vcon =W3 ( 2.5Vdc )	≤ 3 minutes to 0.5 ppm accuracy	
<b>Phase Noise</b>	-90dBc/Hz@10Hz ; -125dBc/Hz@100Hz -140dBc/Hz @1KHz ; -145dBc/Hz@10KHz	

**MMDC-Tech Science Inc.      [www.mmdc-technology.com](http://www.mmdc-technology.com)**

中国办事处 ADD: Room1001, NO.2 BUILDING, Lane 251, Songhuajiang RD. SHANGHAI 200093, CHINA  
TEL: +86-21-55230690, FAX: +86-21-55230572

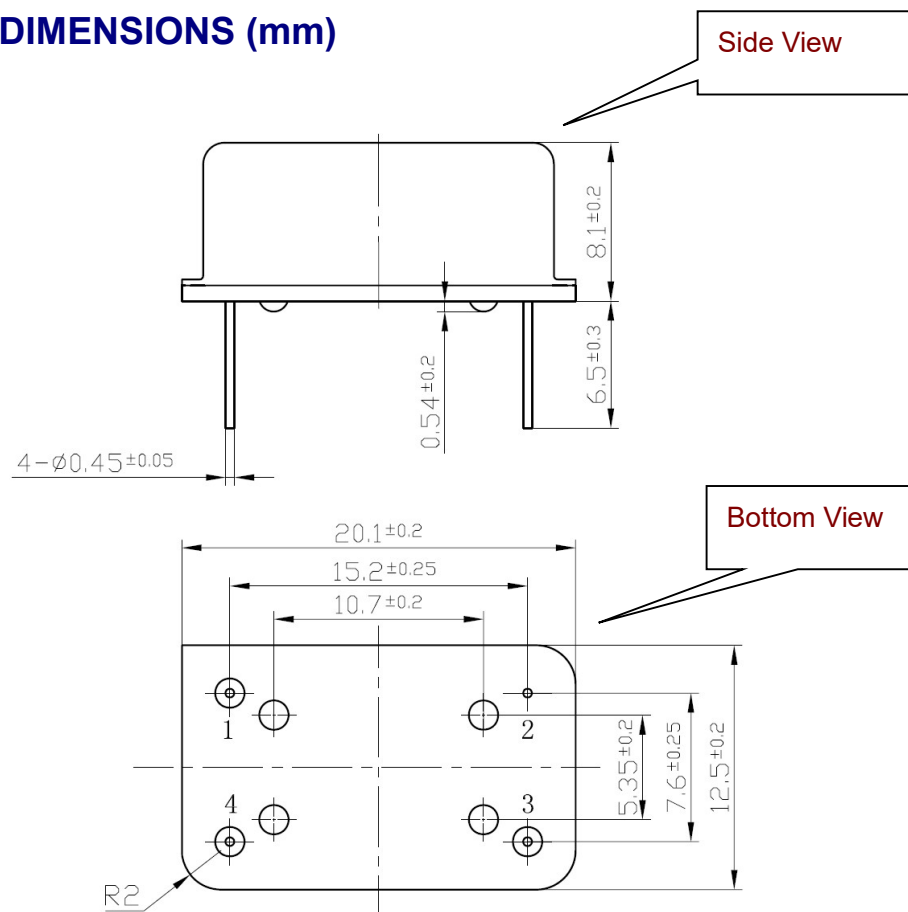
# MF50V5- 11MHz REV15.5

High Reliability OCXO

**Metal Package, Full Size DIP14**

Widely used for the telecommunications, Aerospace, Defense and Military Industries.

## DIMENSIONS (mm)



PIN Connections	
#1	Vcon
#2	GND
#3	Output
#4	Supply Voltage VDD

Ordering Part Number

**MF50V5-11MHz**

**MMDC-Tech Science Inc.** [www.mmdc-technology.com](http://www.mmdc-technology.com)

中国办事处 ADD: Room1001, NO.2 BUILDING , Lane 251 , Songhuajiang RD. SHANGHAI 200093 ,CHINA

TEL: +86-21-55230690 , FAX: +86-21-55230572

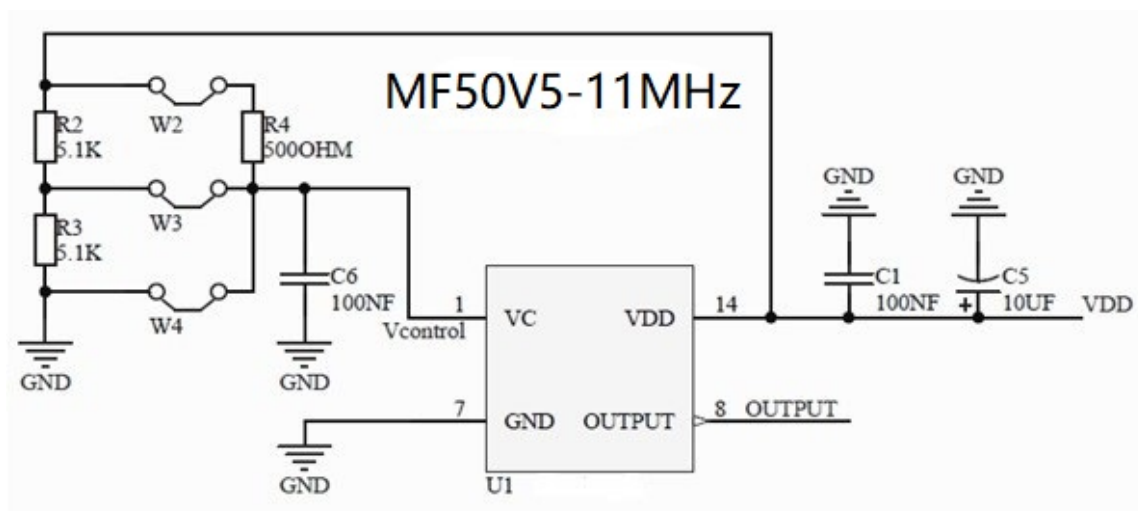
# MF50V5- 11MHz REV15.5

High Reliability OCXO

Metal Package, Full Size DIP14

Widely used for the telecommunications, Aerospace, Defense and Military Industries.

## TEST CIRCUIT



**MMDC-Tech Science Inc. [www.mmdc-technology.com](http://www.mmdc-technology.com)**

中国办事处 ADD: Room1001, NO.2 BUILDING , Lane 251 , Songhuajiang RD. SHANGHAI 200093 ,CHINA

TEL: +86-21-55230690 , FAX: +86-21-55230572