

Quartz Crystal HC35



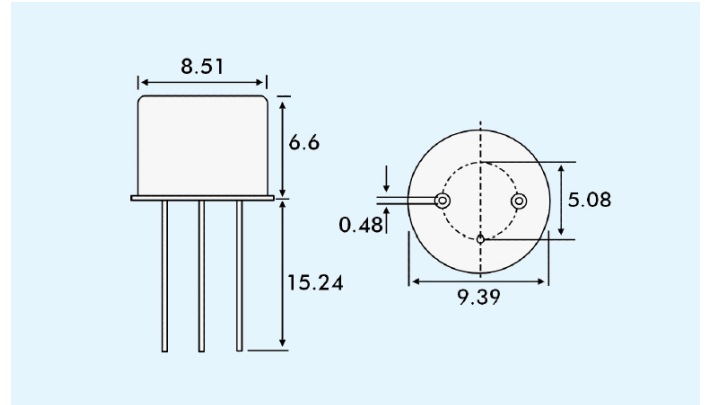
- TO5 Military Industry Standard Package
- wave soldering temperature: 260 °C max.
- package height 6.6 mm max.



General Data

type	HC35
frequency range	8 ~ 250.0 MHz
frequency tolerance	± 20 ppm / ± 30 ppm / ± 50 ppm
load capacitance C_L	6pF ~60 pF or series
shunt capacitance C_0	< 4 pF
storage temperature	-55 °C ~ +125 °C
drive level max.	100 uW maximum
aging	< ± 2 ppm first year

Dimensions



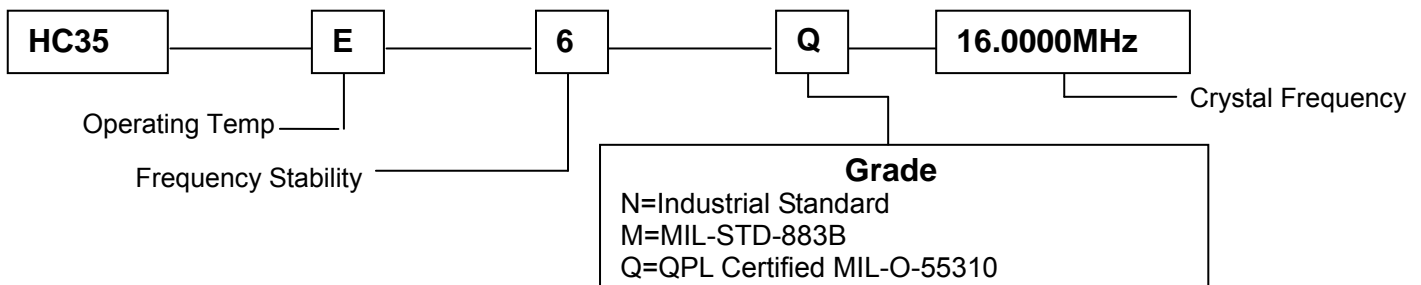
Operating Temp. Ranges	Frequency Stability						
	±5 ppm	±10 ppm	±15 ppm	±20 ppm	±25 ppm	±50 ppm	±100 ppm
A 0 to 50°C	Y	Y	Y	Y	Y	Y	Y
B -10 to 60°C	Y	Y	Y	Y	Y	Y	Y
C -20 to 70°C	Y	Y	Y	Y	Y	Y	Y
D -30 to 80°C	N	N	Y	Y	Y	Y	Y
E -40 to 85°C	N	N	N	Y	Y	Y	Y
F -55 to 105°C	N	N	N	N	Y	Y	Y
G -55 to 125°C	N	N	N	N	N	Y	Y

Environmental And Mechanical	
Mechanical Shock	Per MIL-STD-202 ,Method 213 ,Cond.E
Thermal Shock	Per MIL-STD-883 ,Method 1011 ,Cond.A
Vibration	Per MIL-STD-883 ,Method 2007 ,Cond.A
Seal	Per MIL-STD-883, Method 1014, Cond.B
Solderability	Per MIL-STD-883 ,Method 2003 ,Cond.A

VIBRATION MODE,ESR & SHUNT CAPACITANCE

frequency in MHz	vibration mode	ESR max. in Ω	C0 in pF
8.0-9.9	fund.- AT	80	2.5
10.0-10.99	fund.- AT	60	3.0
11.0 ~ 12.9	fund.- AT	40	4.0
13.0 ~ 45.0	fund.- AT	25	4.0
30.0 ~ 50.0	AT 3 rd OT	40	4.0
50.1-100.0	AT 5 th OT	50	4.0
80.0 ~ 200	AT 7 th OT	70	4.0
150 ~ 250	AT 9 th OT	120	4.0

Part Numbering Guide



MMDC-Tech Science Inc. www.mmdc-tech.net

6050 W Eastwood Ave, Chicago IL60630, USA

TEL: (312) 233-2157 FAX: (312) 233-2162