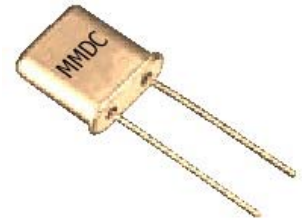


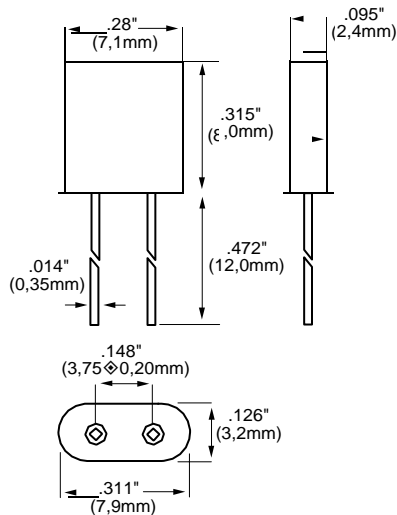
Resistance Weld Miniature Crystal

Widely used for the telecommunications, Aerospace, defense and Military Industries.



FEATURES

- Military Industry Standard Package
- Wide Frequency Range
- Small Footprint
- Low Profile
- Excellent Aging
- Lower Profile Available
- Metal Jacket



Parameter	Unit	Condition	Min	Typ	Max	Note
Frequency Range	MHz		3.579		300	
Frequency Tolerance	ppm	25°C			±50	
Frequency Stability	ppm				±50	Ref: @ 25°C
Operating Storage	°C		-55		+125	
Shunt Capacitance (C ₀)	pF				7.0	
Load Capacitance (C _L)	pF	Customer Specified	10	18	Series	
Drive Level	mW				1.0	
Aging Per Year	ppm				±3.0	

Frequency Range	Mode	ESR (Ω)
3.579 - 4.000	Fundamental	300
4.000 - 5.000	Fundamental	250
5.000 - 6.000	Fundamental	180
6.000 - 7.000	Fundamental	120
7.000 - 8.000	Fundamental	100
8.000 - 10.000	Fundamental	90
10.000 - 11.000	Fundamental	60
11.000 - 27.000	Fundamental	40
25.000 - 65.000	3rd Overtone	60
60.000 - 130.000	5th Overtone	100
130.000 - 300.000	7th Overtone	150

Environmental And Mechanical	
Mechanical Shock	Per MIL-STD-202 ,Method 213 ,Cond.E
Thermal Shock	Per MIL-STD-883 ,Method 1011 ,Cond.A
Vibration	Per MIL-STD-883 ,Method 2007 ,Cond.A
Seal	Per MIL-STD-883, Method 1014, Condition B & C
Solderability	Per MIL-STD-883 ,Method 2003 ,Cond.A

Operating Temp. Ranges	Frequency Stability						
	1 ±5 ppm	2 ±10 ppm	3 ±15 ppm	4 ±20 ppm	5 ±25 ppm	6 ±50 ppm	7 ±100 ppm
A 0 to 50°C	Y	Y	Y	Y	Y	Y	Y
B -10 to 60°C	Y	Y	Y	Y	Y	Y	Y
C -20 to 70°C	Y	Y	Y	Y	Y	Y	Y
D -30 to 80°C	N	N	Y	Y	Y	Y	Y
E -40 to 85°C	N	N	N	Y	Y	Y	Y
F -55 to 105°C	N	N	N	N	Y	Y	Y
G -55 to 125°C	N	N	N	N	N	Y	Y

Part Numbering Guide

